

# FACT SHEET

## XVL-920 – Remote Valve Control Single – Light Duty

### Key Features

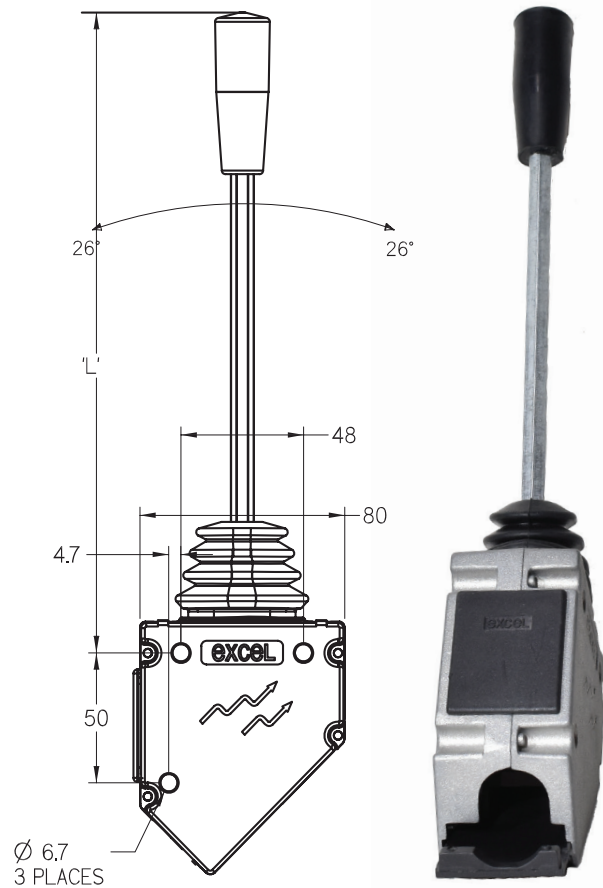
- Aluminium Body
- Maximum Load 40 kgf
- Stackable Controls

### Suitable for use on

- Functions where hydraulic valves require option for remote situations
- Design for use where multiple valve banks are required

### Note

- The Multiflex RVC Light Duty offers a maximum of 30mm travel
- Control width 42mm



Part Number	Description
XVL-920	RVC Single – Light Duty
428050-XXXX	Cable to suit / for use with XVL-920
Where XXXX is overall length in centimetres	

